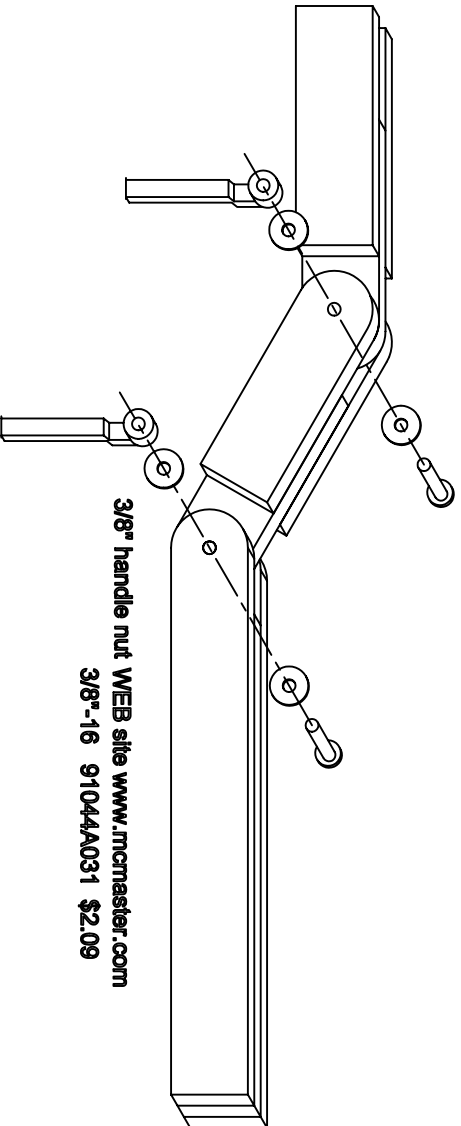
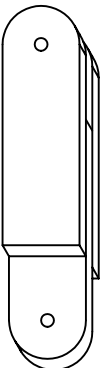
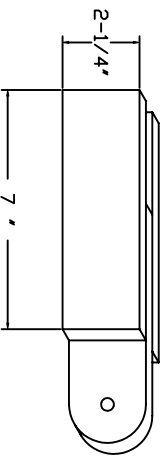
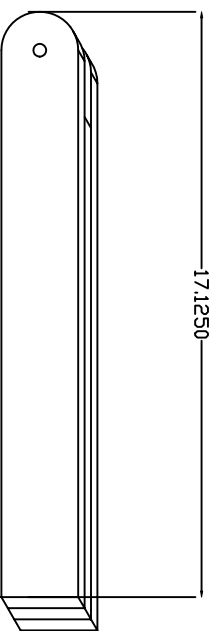
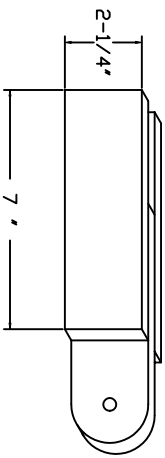


Qty	Dimensions	Comments	Total length
6	3/4" x 2-1/4" x 7"	Arms	42
3	3/4" x 2-1/4" x 12"	Base	36

Carving Arm
Lynn Die!



3/8" handle nut WEB site www.mcmaster.com
3/8"-16 91044A031 \$2.09